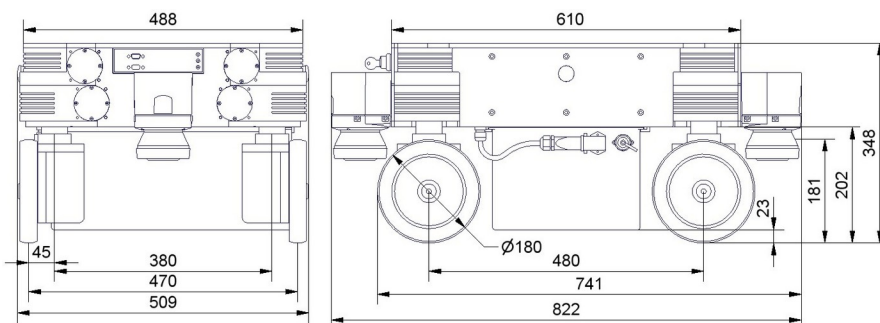


## MPO - 700

**THE OMNIDIRECTIONAL ROBOT MPO-700** provides high-end manoeuvrability for robotic research projects. Its four independent wheels enable the MPO-700 to move along true 3D-trajectories where the robot's orientation is not constrained by its X-Y-movement.

**DIFFERENT FROM OTHER KINEMATICS**, the MPO-700 can drive along the front of a workbench or laboratory bench while permanently facing the workspace. This significantly improves the work-flow and reduces the danger of collisions. Furthermore the robot is capable of moving through very narrow spaces and of navigating swiftly in difficult or crowded environments.

**ADDITIONAL MODULES** such as manipulator arms, computers, sensors and actuators can be integrated easily to build a highly specialized and capable robotic system.



### INCLUDED IN DELIVERY

- Mobile platform
- 1 x Sick S300 safety laser scanner
- Battery pack
- Wireless joystick
- Manual charger
- On-board computer
- Software package ROS
- Documentation
- CE Declaration of Conformity

### OPTIONS

- Automatic charging station
- Load handling device
- 2<sup>nd</sup> laser scanner Sick S300
- Intel i7 on-board computer
- IOBoard
- Integration of robot arm
- LiFePO4 battery
- Audio system

## TECHNICAL DATA

<b>Payload</b>	400 kg
<b>Weight</b>	approx. 120 kg
<b>Ground clearance</b>	23 mm
<b>Speed</b>	< 0.9 m/s
<b>Battery pack</b>	AGM sealed lead acid 48 V / 28 Ah
<b>Uptime / charge time</b>	approx. 5 h / 4 h
<b>Sensors</b>	Laser scanner Sick S300 Expert (optional: 2 <sup>nd</sup> laser scanner Sick S300 Expert)
<b>Computer</b>	Intel i5, 8 GB RAM, > 200 GB SSD, WLAN