

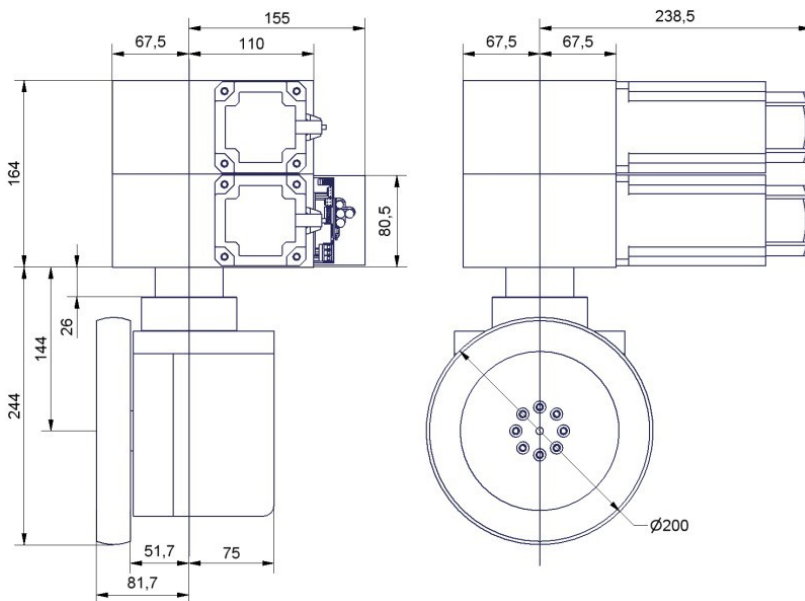
Omni-Drive-Module HD

THE OMNI-DRIVE-MODULES HD enable customers to create a customised, very powerful omnidirectional robot platforms with minimal effort and within a very short time.

EACH MODULE FEATURES two independent servo drives. The wheel can turn to face into any direction, allowing a mobile robot to move omnidirectionally. It is even possible to change the robots orientation while driving, which is essential for complex handling and coordination tasks.

THE OMNI-DRIVE-MODULES have already proven themselves very successful in several service robotics applications, especially in unstructured and narrow environments. Thanks to the modules' high power at a small space it is possible to design elegant and slim robots with impressive manoeuvrability and very high payload.

SAFE TORQUE OFF AND ABSOLUTE POSITIONING make for easy integration, less peripheral components and shortest start-up times.



INCLUDED IN DELIVERY

- 2 brushless servo motors
- 2 digital drive amplifiers with Safe Torque Off input
- Absolute positioning of orientation axis
- Bearings and gears with lifetime lubrication

OPTIONS

- Motors on left or right side
- Brakes
- EtherCAT communication
- Customised ground clearance
- Customised modifications

TECHNICAL DATA

Payload	500 kg
Weight	30 kg
Speed	< 1.1 m/s
Motor power	2 x 450 W
Motor voltage	48 VDC
Auxillary voltage	24 VDC (12 – 95 VDC)
Communication	CANopen, USB