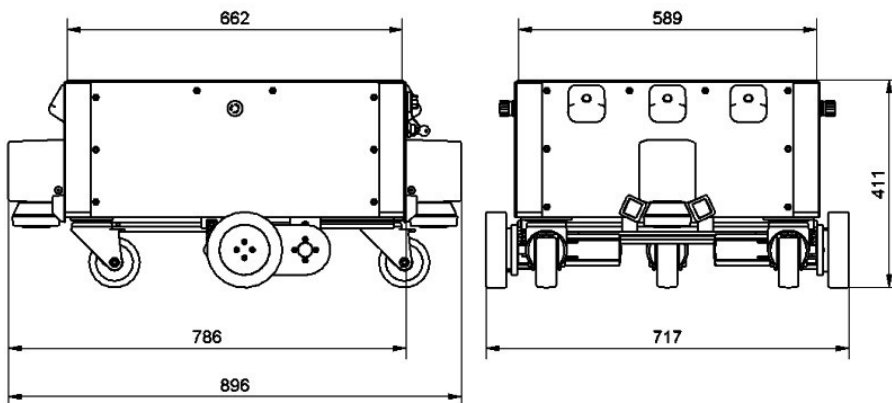


## MP - 700

**THE MP-700** offers easy access to all components and allows maximum options for modifications and mounting of additional devices. The mobile robot MP-700 is especially suitable for the integration of one or two manipulator arms.

**ITS HIGH STABILITY** and simple modification possibilities made the MP-700 the number one choice for several research projects dealing with mobile manipulation.

**THE MP-700 IS EXTREMELY ROBUST.** Whether one or two manipulator arms have to be integrated, the big platform can handle almost every application. Its basic design can be changed to carry even very big industrial electric control cabinets. Since the system offers a very high payload and battery capacity, there is hardly any limit to the integration of additional devices and functions.



### INCLUDED IN DELIVERY

- Mobile platform
- 1 x Sick S300 safety laser scanner
- Battery pack
- Wireless joystick
- Manual charger
- On-board computer
- Software package ROS
- Documentation
- CE Declaration of Conformity

### OPTIONS

- 2<sup>nd</sup> laser scanner Sick S300
- Automatic charging station
- Load handling device
- Intel i7 on-board computer
- 4 x ultrasonic sensors
- IOBoard
- Integration of robot arm
- Audio system

## TECHNICAL DATA

<b>Payload</b>	300 kg
<b>Weight</b>	approx. 170 kg
<b>Ground clearance</b>	44 mm
<b>Speed</b>	< 1 m/s
<b>Battery pack</b>	AGM sealed lead acid 48 V / 100 Ah (optional: 24 V / 200 Ah)
<b>Uptime / charge time</b>	approx. 12 h / 8 h
<b>Sensor</b>	Laser scanner Sick S300 Expert (optional: 2 <sup>nd</sup> laser scanner Sick S300, 4 x ultrasonic sensors)
<b>Computer</b>	Intel i5, 8 GB RAM, > 200 GB SSD, WLAN