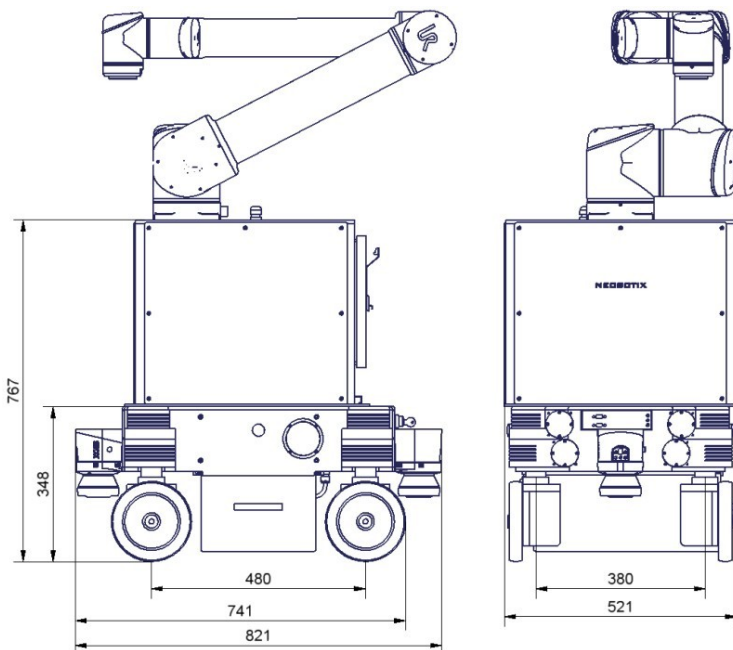


MMO - 700

THE MOBILE MANIPULATOR MMO-700 combines the omnidirectional robot MPO-700 with a light-weight robot arm from Universal Robots or Schunk.

WITH ITS FOUR OMNI-DRIVE-MODULES, the MMO-700 can drive along the front of a workbench or laboratory bench while permanently facing the workspace. This significantly improves the work-flow and reduces the danger of collisions. Furthermore the robot is capable of moving through very narrow spaces and of navigating swiftly in difficult or crowded environments.

A UNIVERSAL ROBOTS ARM can be controlled with its original control software and manual control unit. Arms from Schunk can be controlled by ROS.



INCLUDED IN DELIVERY

- Mobile platform
- 1 x Sick S300 safety laser scanner
- Battery pack
- Wireless joystick
- Manual charger
- On-board computer
- Software package PlatformCtrl / ROS
- Documentation

OPTIONS

- Automatic charging station
- Integration of robotic arm
- 2nd laser scanner Sick S300
- Intel i7 on-board computer
- IOBoard
- LiFePO4 battery
- Audio system

PLATFORM'S TECHNICAL DATA

Payload	400 kg
Weight	approx. 120 kg
Ground clearance	23 mm
Speed	< 1.0 m/s
Battery pack	AGM sealed lead acid 48 V / 28 Ah
Uptime / charge time	approx. 5 h / 4 h
Sensors	Laser scanner Sick S300 Expert (optional: 2 nd laser scanner Sick S300 Expert)
Computer	Intel i5, 8 GB RAM, > 200 GB SSD, WLAN