



EC616 | 6-axis Collaborative Robot

EC SERIES



16kg
Payload



954mm
Radius



± 0.03 mm
Repeatability



2.8m/s
Max TCP Speed

EC616

EC SERIES



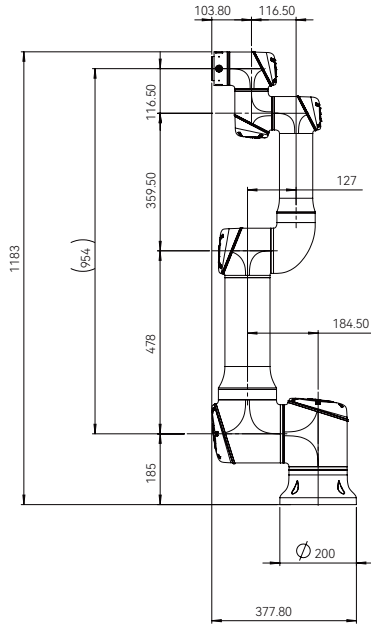
Robotic Arm

Payload	16kg
Radius	954mm
Repeatability	±0.03mm
Axis	6
Joints rotation	J1-J6 ±360°
Joints speed	J1-J2 120°/s
	J3 150°/s
	J4-J6 210°/s
Max TCP Speed	2.8m/s
IP rating	IP54
Operating Temperature range	0-50 °C
Relative humidity	5%-95% (non-condensing)
Typical power usage	435w
Mounting	Any angle
Tool I/O connector	12 pin
Tool I/O ports	2 DI, 2 DO, 1 AI, 1 AO
Tool I/O power supply	24 V
Tool I/O communication	RS485
Footprint	Ø 200mm
Weight	32.5kg
Material	Aluminum, Steel
Cable length	5.5m
Certifications	EN ISO 10218-1

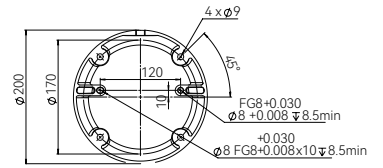
Teach-Pendant



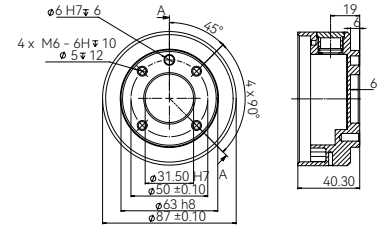
Size	290mm x 225mm x 118mm
Screen display size	12.1"
Resolution	1280 x 800 pixels
Material	Aluminum, Plastic
Weight	1.8 kg
Cable length	5.5 m
IP rating	IP54
Operating Temperature range	0-50 °C
Relative humidity	5%-95% (non-condensing)
Input method	Resistive touch-screen, physical buttons



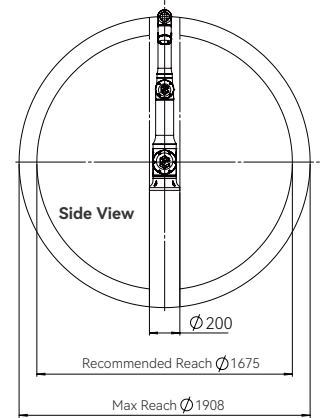
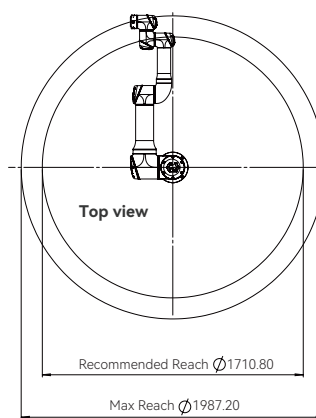
EC616 external dimensional drawing



EC616 base top view

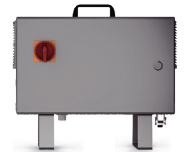


EC616 end flange



EC616 working range diagram

Controller



Size	505mm x 448mm x 245mm
Material	Aluminum, Steel
IP rating	IP44
I/O ports	16 DI, 16 DO, 2 AI, 4 AO
I/O power supply	24V; 2A (internal)
Communication ports	1 Ethernet port, 1 RS485/RS232, 1 USB 2.0
Communication protocols	TCP/IP, MODBUS TCP/RTU, EtherNet/IP, Profinet, CCLink
Power source	100-240 VAC, 50-60 Hz (M: 19-72VDC)
Operating Temperature range	0-50 °C
Relative humidity	5%-95% (non-condensing)