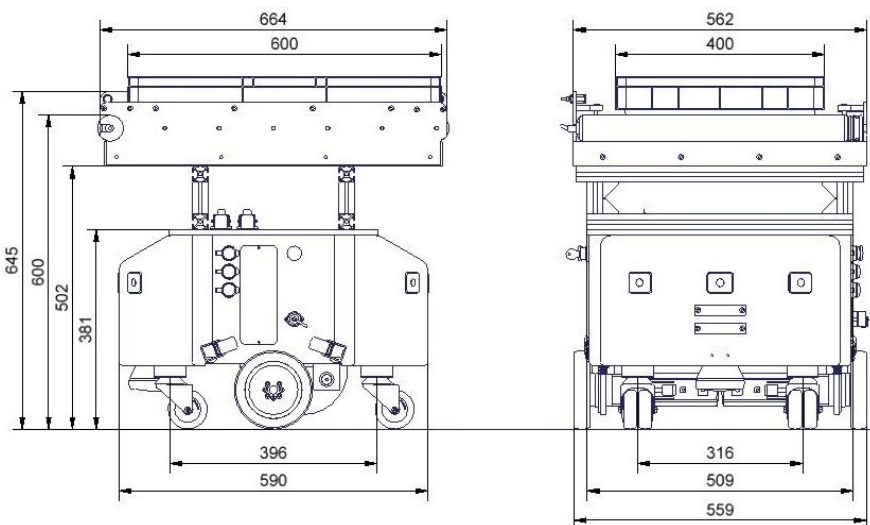


MT - 400

THE TRANSPORT ROBOT MT-400 is a modification of the basic platform MP-400. With its customised cargo area or load handling device, the MP-400 can handle the flexible transport of smaller batches or single parts between almost any point in the factory.

THE MT-400'S PRIMARY TASK is to complement traditional transport systems that are limited by their size or the technical requirements of a complex task. One job for the MT-400 can be moving samples between the high throughput production line and separated testing machines. It can also pick parts from different storages in order to prepare sets for later assembly.

THE MT-400 CAN WORK IN applications that are beyond the capabilities of stationary conveyors and traditional automated guided vehicles.



INCLUDED IN DELIVERY

- Mobile platform
- 1 x Sick S300 safety laser scanner
- Battery pack
- Wireless joystick
- Manual charger
- On-board computer
- Software package PlatformCtrl
- Documentation
- CE Declaration of Conformity

OPTIONS

- Battery quick change system
- Automatic charging station
- Load handling device
- High payload of 150 kg
- 6 x ultrasonic sensors
- NAV350 localisation system
- IOBoard
- Audio system

TECHNICAL DATA

Payload	100 kg (optional: high payload 150 kg)
Weight	approx. 70 kg
Ground clearance	44 mm
Speed	< 1.5 m/s
Battery pack	24 V / 50 Ah
Uptime / Charge time	approx. 10 h / 6 h
Sensors	Laser scanner Sick S300 (optional 6 x ultrasonic sensors)
Computer	Intel Atom, 2 GB RAM, > 100 GB HDD, WLAN