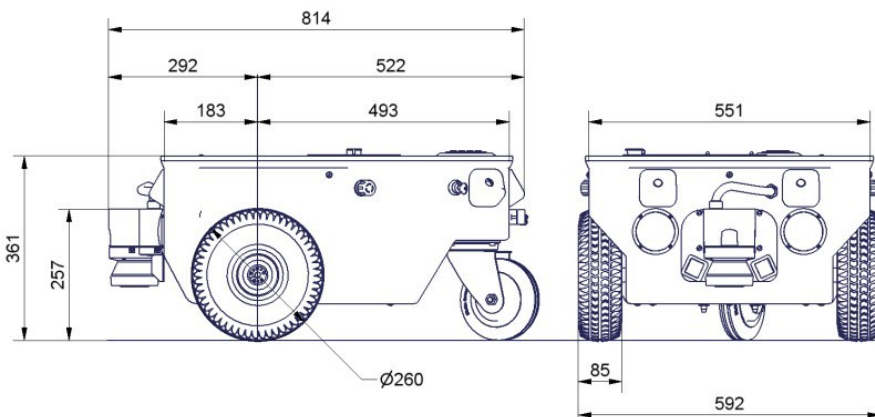
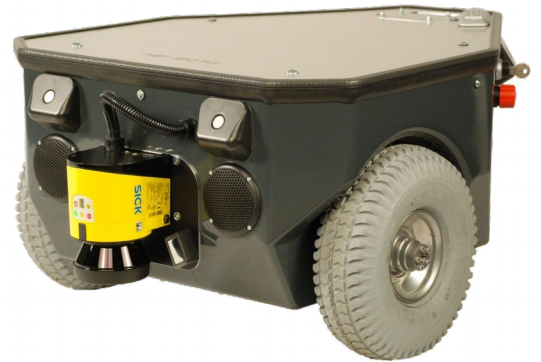


MP - 500

THE MOBILE ROBOT MP-500 was designed with focus on a small and compact outline, high agility and splash-water protection. It is prepared for easy modification according to customers' demands. The MP-500 is therefore perfect for most industrial applications requiring high flexibility and low cycle times.

THE STANDARD VERSION offers the same features as the big platforms. The control software PlatformCtrl is running on the embedded on-board computer without any limitations. This software is prepared to cope with the most common tasks in industrial applications. Thanks to the energy saving measures, an uptime of up to 10 hours can be reached.

THE MP-500 CAN BE MODIFIED to match the individual needs of every customer, no matter if the task is automatic transport in a factory, mobile manipulation, surveillance or telepresence.



INCLUDED IN DELIVERY

- Mobile platform
- 1 x Sick S300 safety laser scanner
- Battery pack
- Wireless joystick
- Manual charger
- On-board computer
- Software package ROS
- Documentation
- CE Declaration of Conformity

OPTIONS

- Automatic charging station
- Load handling device
- NAV350 localisation system
- IOBoard
- Robot arm
- Audio system

TECHNICAL DATA

Payload	80 kg
Weight	approx. 70 kg
Ground clearance	71 mm
Speed	< 1.5 m/s
Battery pack	AGM sealed lead acid 24 V / 50 Ah
Uptime / charge time	approx. 10 h / 6 h
Sensors	Laser scanner Sick S300
Computer	Intel Atom, 2 GB RAM, > 100 GB HDD, WLAN